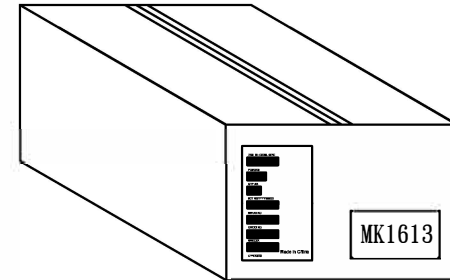
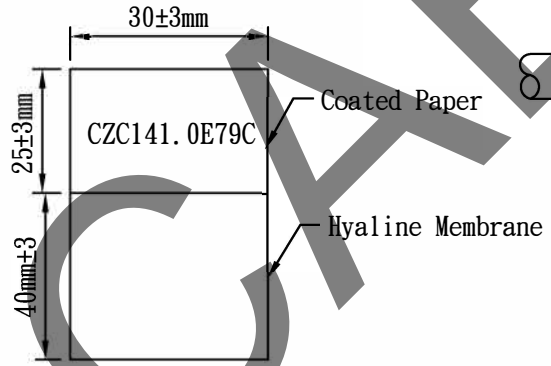


The Back Marking

YUNG LI
YP-32
10A 250V~



Packing: Bundled to ease installation.

NO.	SPECIFICATION	QTY	REMARK
1	H05VV-F 1.0/3G Blue(PT293C)	1PC	
2	YP-32 PVC PLASTIC:50P Blue(PT293C)	15g/PC	
3	TER:98672BS-1	3PCS	
4	INNER BODY: 2X4(MARKING) Blue(PT293C)	1PC	
5	TER:97740	3PCS	
6	YC-12 INNER BODY	1PC	
7	YC-12 PVC PLASTIC:50P Blue(PT293C)	18g/PC	
8	LABEL: (40+25)*30mm	1PC	

TOLERANCE >0±0.30 >1.0±0.50 >10.0±1.0 >20.0±2.0 Angle: ±1°	APPROVED	DATE	MK Cable			
	CHECKED	DATE				
	DRAWN	SUKI	DATE	22.08.30	ITEM #	MK1613
	TYPE	YP-32/YC-12		MODEL #	CZC141.0E79C	
DRAWING NO.	REV	B	MATERIAL	P. V. C	UNIT	mm
			SCALE			