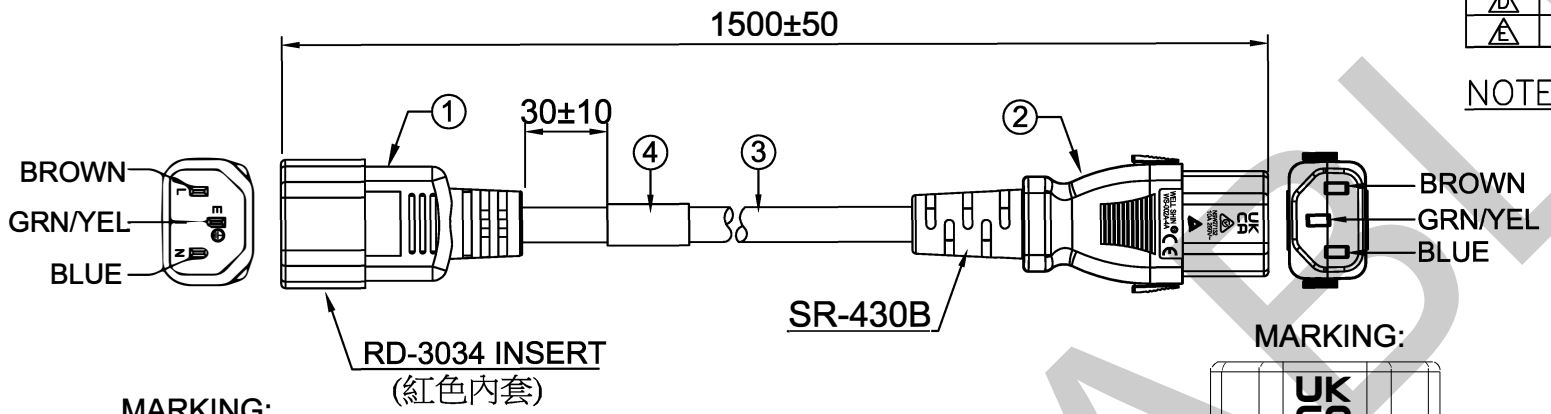


MODEL # CZC141.0/17WS60R P/N: MK7430 REV. . APPROVED BY:

| REVISIONS | | |
|-----------|--------------|------------|
| REV. | DESCRIPTION | DATE |
| △A | PLM系統初始版本為A版 | 2024/05/27 |
| △B | | |
| △C | | |
| △D | | |
| △E | | |



NOTES: 1. 外箱標籤請參考2720-0384-1 最新版.

MARKING:

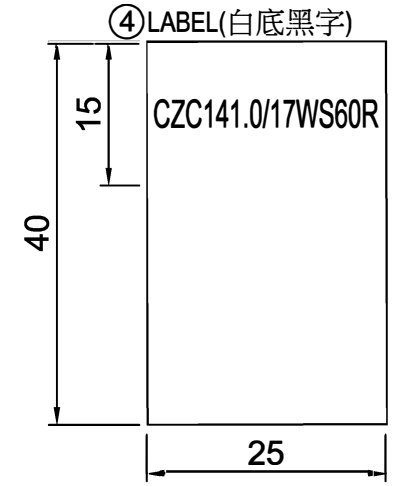
10A 250V~
WELL SHIN
WS-003
c UL US E115330

10A 250V~

⑤
10 條一束
10 PCS IN ONE BUNDLE

MARKING:

upper cover(上蓋)
*下蓋空白不雷雕



| ITEM | DESCRIPTION | COLOR | QTY | 頭 | 尾 | 線種 | 線規 | 芯線數 | 溫度 | 顏色 | 總長度 | | |
|------|--|------------|-----|--|---------------|-------------------------------|---------------|-----|-------|---------|--------|--------------|------------------|
| ① | WS-003 10(A) 250(V) APPROVAL: UL,CUL,ENEC | (RD-3034) | 1 | WS-003 | WS-002A-4A | SJTW+H05VV-F+60227 IEC53(RVV) | 17AWG+1.0MMSQ | 3G | 105°C | RD-3034 | 1500mm | | |
| ② | WS-002A-4A 10(A) 250(V) APPROVAL: UL,CUL,RCM,TUV,UKCA,CE | PANTONE | 1 | MARKING: (M) FOR DONG-GUAN PLANT, (K) FOR KUN-SHAN PLANT | | | | | | | | | |
| ③ | SJTW 17AWG 3C 105°C + H05VV-F 3G 1.00MMSQ + 60227 IEC 53(RVV) 300/500 3G 1.00MMSQ APPROVAL: UL,CUL,EUROPEAN,CCC,CE | 032C (RED) | 1 | SIGNATUR | | <h1>MK Cable</h1> | | | | | | | |
| ④ | LABEL | --- | 1 | ENGINEER BY: | MANAGER BY: | | | | | | | PRODUCT NO.: | DATE: 2024/05/27 |
| ⑤ | PE膜(PE FILM) | CLEAR | 1 | CHECKED BY: | DRAWN BY: 陳金德 | | | | | | | UNIT: mm | SHEET: 1 OF 1 |
| | | | | | | DWG NO: 2720-0395 | | | A | | | | |