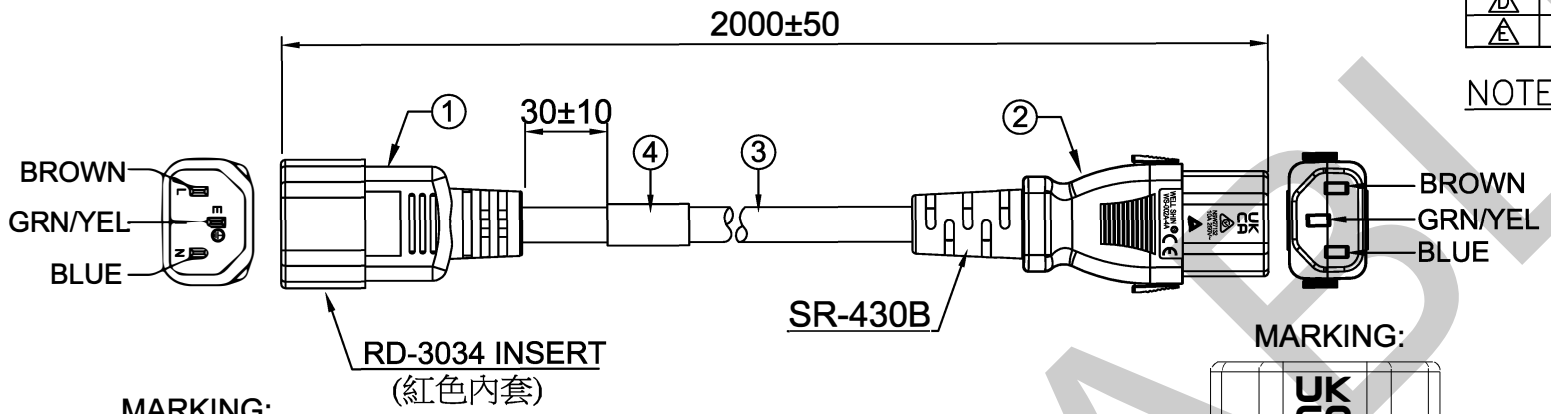


MODEL # CZC141.0/17WS79R P/N: MK7630 REV. . APPROVED BY:

REVISIONS		
REV.	DESCRIPTION	DATE
△A	PLM系統初始版本為A版	2024/05/27
△B		
△C		
△D		
△E		



NOTES: 1. 外箱標籤請參考2720-0384-1 最新版.

**MARKING:**

10A 250V~  
WELL SHIN  
WS-003  
c UL US E115330

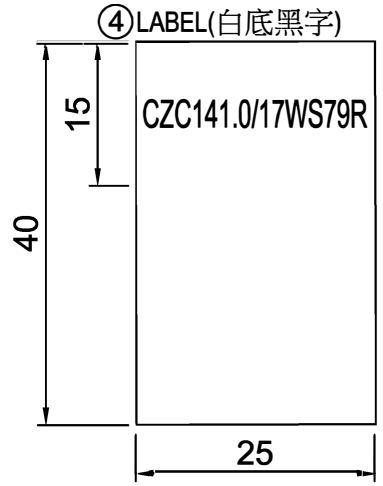
---

**ENEC 03**  
10A 250V~

⑤  
10 條一束  
10 PCS IN ONE BUNDLE

**MARKING:**

upper cover(上蓋)  
\*下蓋空白不雷雕



ITEM	DESCRIPTION	COLOR	QTY	頭	尾	線種	線規	芯線數	溫度	顏色	總長度			
①	WS-003 10(A) 250(V) APPROVAL: UL,CUL,ENEC	(RD-3034) PANTONE	1	WS-003	WS-002A-4A	SJTW+H05VV-F+60227 IEC53(RVV)	17AWG+1.0MMSQ	3G	105°C	RD-3034	2000mm			
②	WS-002A-4A 10(A) 250(V) APPROVAL: UL,CUL,RCM,TUV,UKCA,CE		032C (RED)	1	MARKING: (M) FOR DONG-GUAN PLANT, (K) FOR KUN-SHAN PLANT									
③	SJTW 17AWG 3C 105°C + H05VV-F 3G 1.00MMSQ + 60227 IEC 53(RVV) 300/500 3G 1.00MMSQ APPROVAL: UL,CUL,EUROPEAN,CCC,CE		1	SIGNATUR		<b>MK Cable</b>								
④	LABEL	---	1	ENGINEER BY:	PRODUCT NO.:							DATE: 2024/05/27		
⑤	PE膜(PE FILM)	CLEAR	1	MANAGER BY:	UNIT: mm							SHEET: 1 OF 1		REV.
				CHECKED BY:	DRAWN BY: 陳金德		DWG NO: 2720-0396		A					