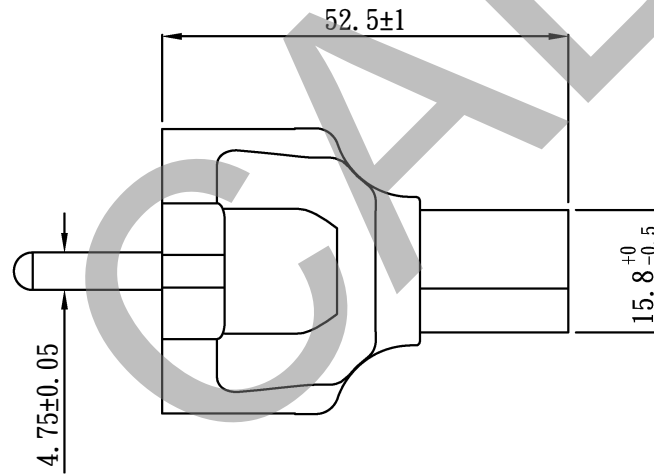
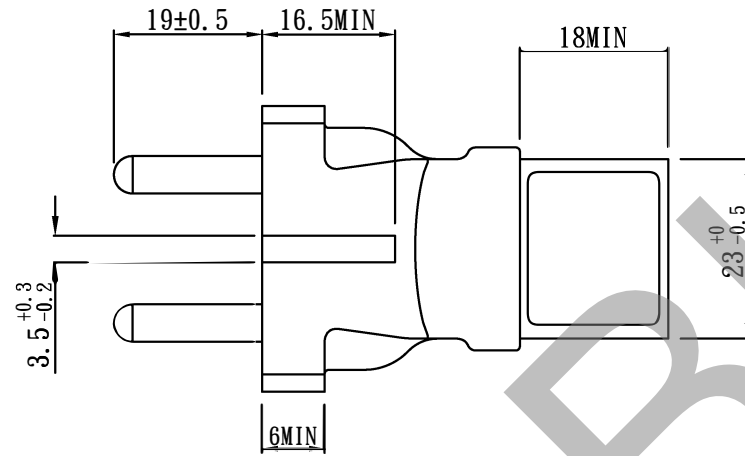
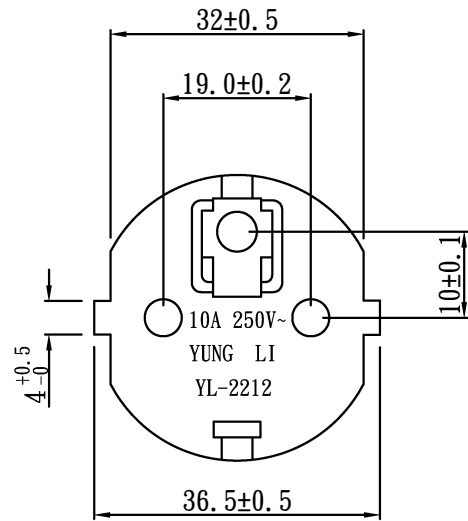
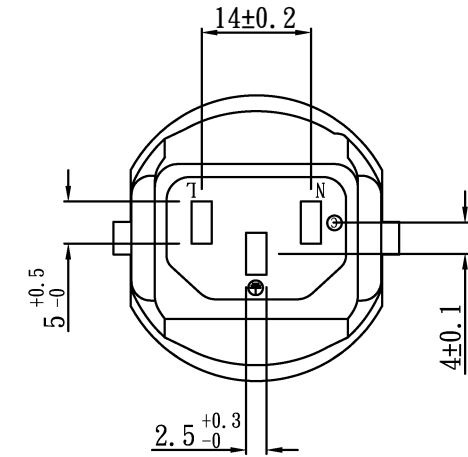


IEC 60320 C13 to CEE 7/7



Note:

1. Rating: 10A 250V
2. Insulation Resistance: 100MΩ
3. Dielectric Voltage: 2000V/sec



|  |             |          |      |  |                 |         |      |    |
|--|-------------|----------|------|--|-----------------|---------|------|----|
| TOLERANCE<br>>0±0.30<br>>1.0±0.50<br>>10.0±1.0<br>>20.0±2.0<br>Angle:<br>±1° | APPROVED    |          | DATE |  | <b>MK Cable</b> |         |      |    |
|  | CHECKED     |          | DATE |  |                 |         |      |    |
|  | DRAWN       |          | DATE |  |                 |         |      |    |
|  | MODEL #     | YL-2212  |      |  | ITEM #          | MK8001  |      |    |
|  | DRAWING NO. | CY-A2212 |      |  | MATERIAL        | P. V. C | UNIT | mm |

