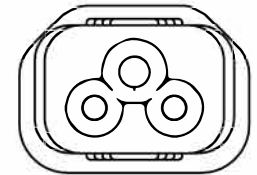
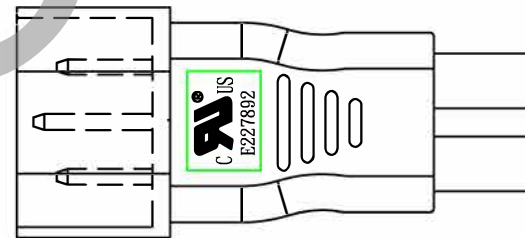
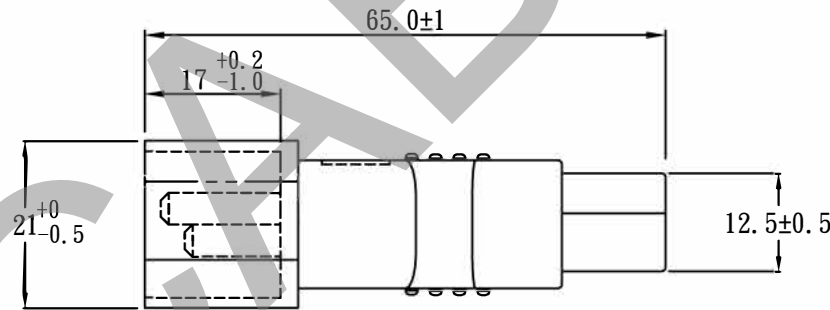
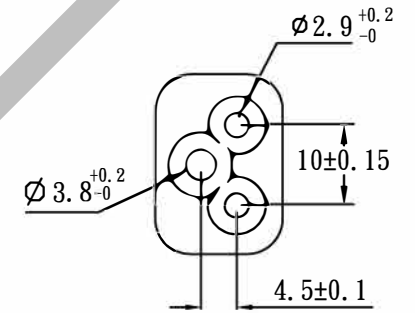
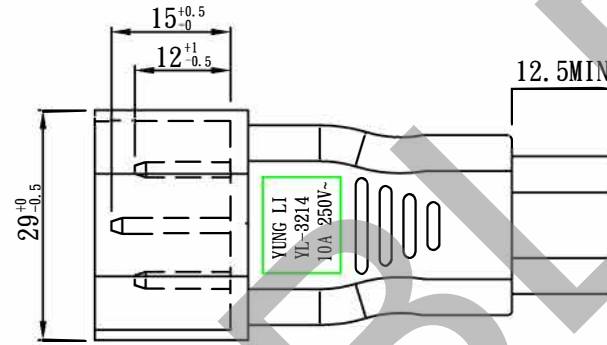
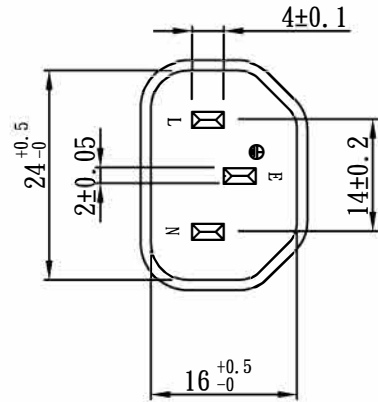




IEC 60320 C5 to IEC 60320 C14 Plug



Note:

1. Rating: 10A 250V
2. Insulation Resistance: 100MΩ
3. Dielectric Voltage: 2000V/sec

TOLERANCE >0±0.30 >1.0±0.50 >10.0±1.0 >20.0±2.0 Angle: ±1°	APPROVED		DATE		MK Cable			
	CHECKED		DATE					
	DRAWN		DATE		Customer			
	MODE1 #	YL-3214			ITEM #	MK8003		
	DRAWING NO.	CY-A3214			MATERIAL	P. V. C	UNIT	mm
				HEFT(g)				