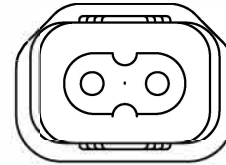
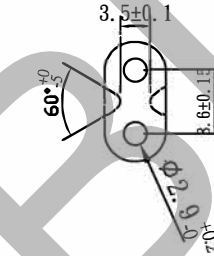
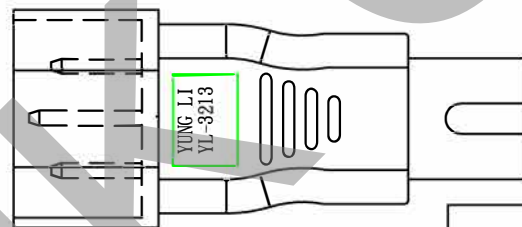
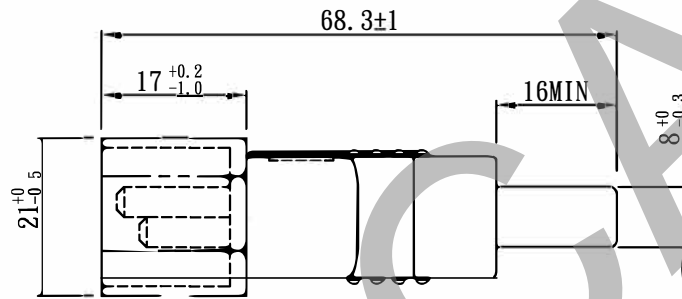
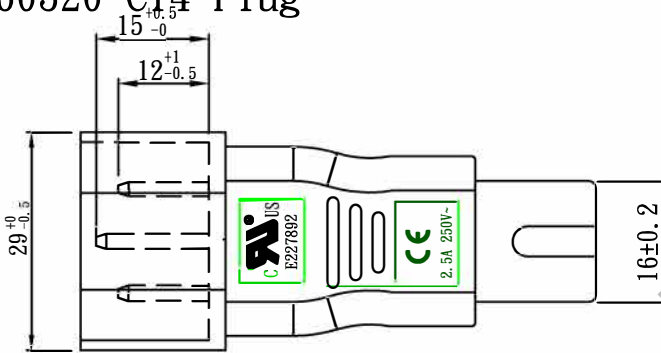
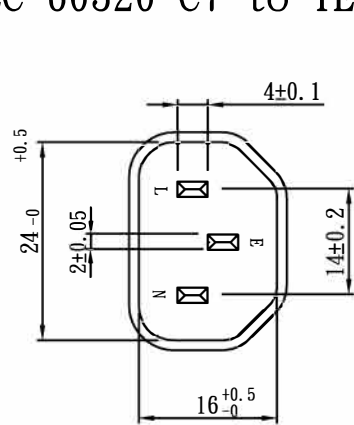




IEC 60320 C7 to IEC 60320 C14 Plug



Note:

1. Rating: 2.5A 250V~
2. Insulation Resistance: 100MΩ
3. Dielectric Voltage: 2000V/sec

60MM

CAUTION: This plug adapter does NOT transform voltage or current. Verify that your device can safely operate at the voltage supplied by the source before connecting. Assure voltage and current are less than or equal to the rating listed on the adapter. Voltage mismatch can cause damage to your device or even bodily harm.

60MM

TOLERANCE >0±0.30 >1.0±0.50 >10.0±1.0 >20.0±2.0 Angle: ±1°	APPROVED		DATE		MK Cable			
	CHECKED		DATE					
	DRAWN	Huangfang	DATE	22.03.25	CUSTOMER			
	MODEL #	YL-3213			P/N	MK8004		
	DRAWING NO.	CY-A3213-03	REV	B	MATERIAL	P. V. C	UNIT	mm
				SCALE	1:1			