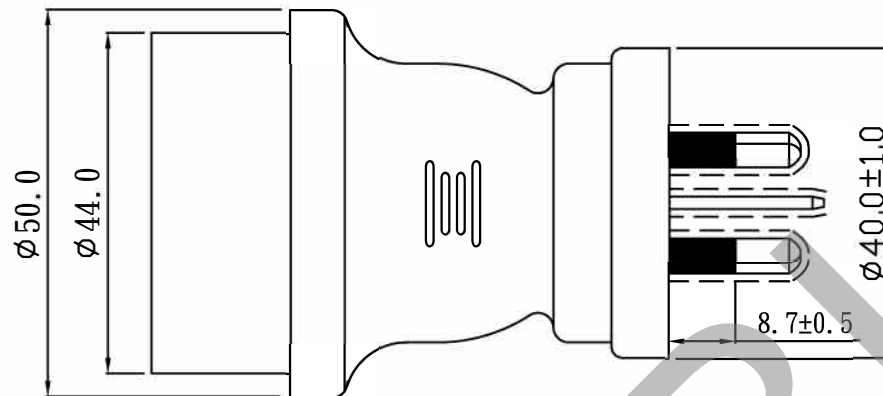
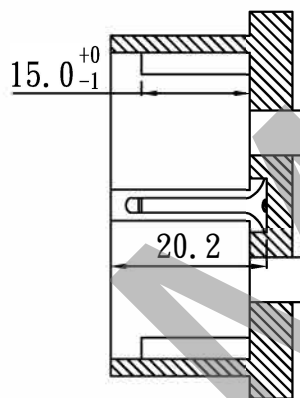
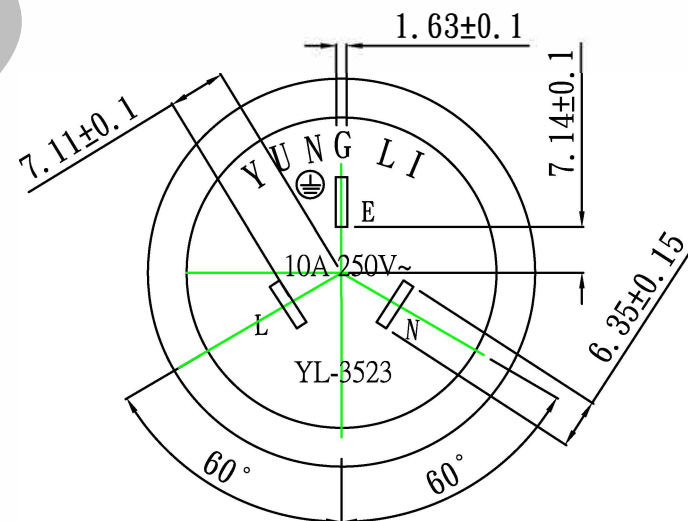
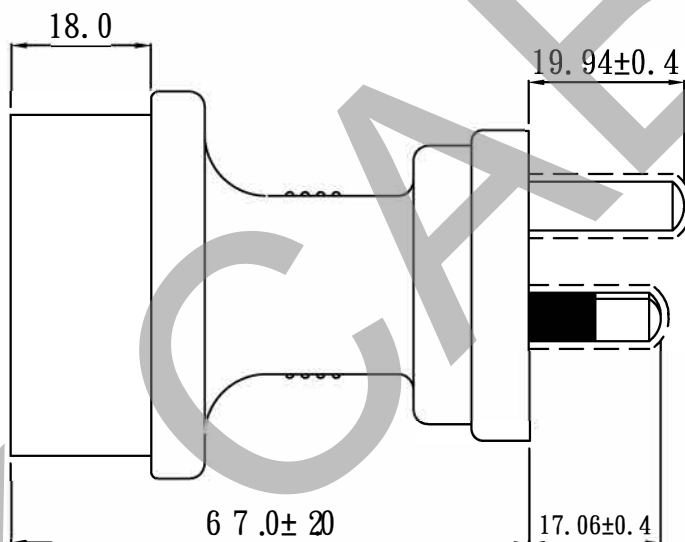
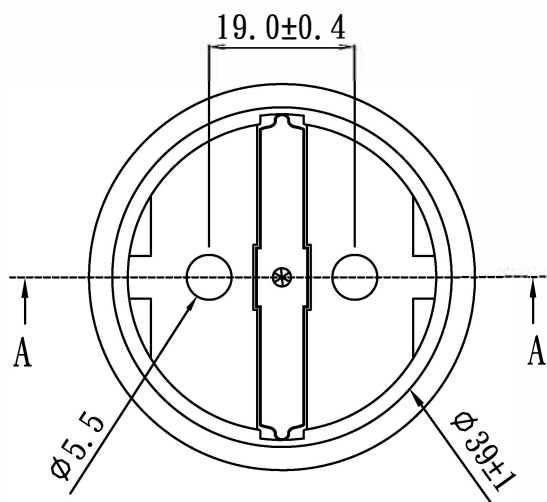


# CEE 7/7 to AS 3112 Plug



Note:

1. Rating: 10A 250V
2. Insulation Resistance: 100MΩ
3. Dielectric Voltage: 2000V/sec



A--A

TOLERANCE >0±0.30 >1.0±0.50 >10.0±1.0 >20.0±2.0 Angle: ±1°	APPROVED		DATE		MK Cable			
	CHECKED		DATE					
	DRAWN		DATE					
	MODEL #	YL-3523			ITEM #	MK8009		
DRAWING NO.	CY-A3523			MATERIAL	P. V. C	UNIT	mm	
				HEFT(g)	99			