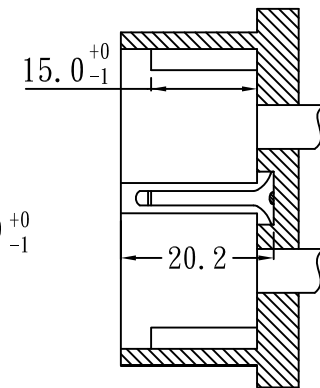
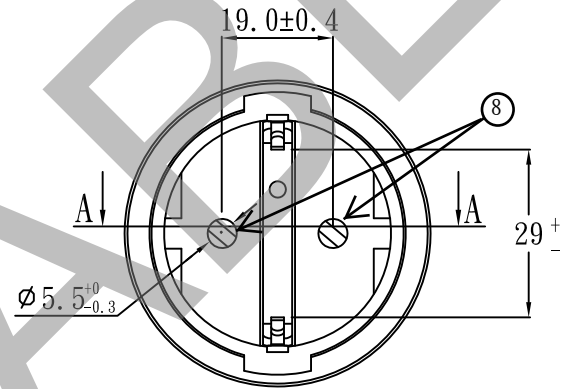
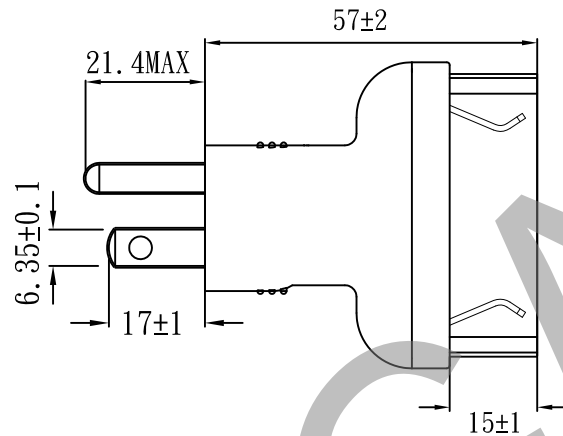
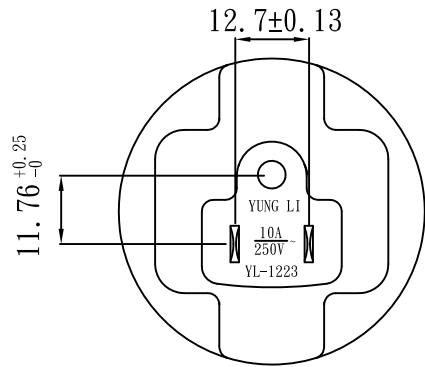
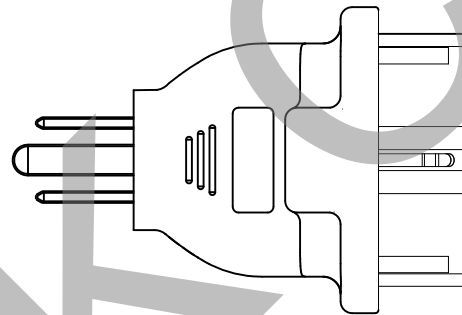


Note:
 1. Rating: 10A 250V
 2. Insulation Resistance: 100MΩ
 3. Dielectric Voltage: 2000V/sec



A--A(局部)



NO.	SPECIFICATION	QTY	REMARK
1	UL 1015 18AWG BROWN	1PC	
2	UL 1015 18AWG BLUE	1PC	
3	UL 1015 18AWG GRN/YEL	1PC	
4	YP-12L INNER BODY	1PC	
5	TER:98675	2PCS	
6	TER:98475	1PC	
7	SLEEVE:3PIN WHITE	1PC	
8	YC-23 FRAME BLACK NEW	1PC	SHUTTER
9	PVC PLASTIC:50P BLACK	42g/PC	
10	ZIP BAG:130X130X0.06mm	1PC	
11	LABEL:60*60mm	1PC	LABEL-4643

TOLERANCE >0±0.30 >1.0±0.50 >10.0±1.0 >20.0±2.0 Angle: ±1°	APPROVED		DATE		MK Cable			
	CHECKED		DATE					
	DRAWN	Huangfang	DATE	16.11.2				
	MODEL #	YL-1223			ITEM #	MK8010		
	DRAWING NO.	CY-A1223-07	REV	B	MATERIAL	P. V. C	UNIT	mm
				HEFT(g)	81			