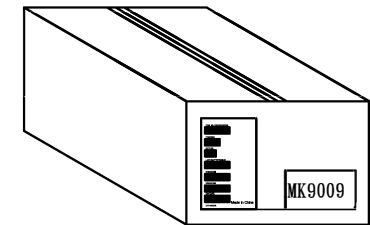
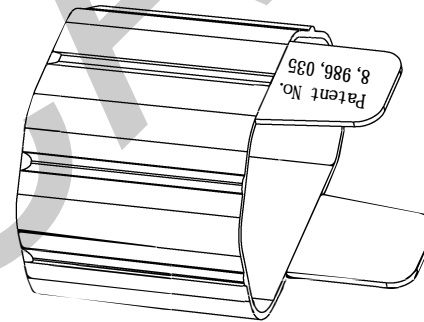
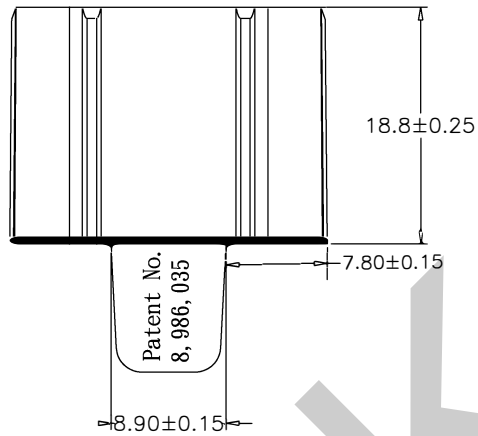
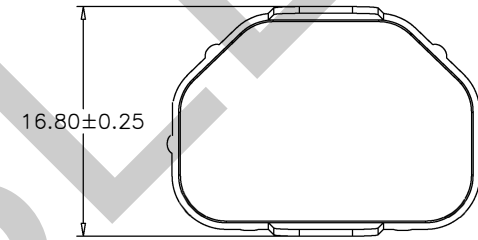


VIEW:A-A



| NO. | SPECIFICATION | QTY | REMARK |
|-----|---------------------|---------|--------|
| 1 | YC-12 SLEEVE YELLOW | 1.5g/PC | |
| | | | |

| | | | | | | | | |
|---|-------------|-------------------|------|----------|-----------------|------------------------|------|----|
| <p>TOLERANCE</p> <p>>0±0.30</p> <p>>1.0±0.50</p> <p>>10.0±1.0</p> <p>>20.0±2.0</p> <p>Angle:</p> <p>±1°</p> | APPROVED | | DATE | | MK Cable | | | |
| | CHECKED | | DATE | | | | | |
| | DRAWN | SUKI | DATE | 23.07.06 | MODEL # | C13SecureSleeveTAB-YEL | | |
| | TYPE | C13 Secure sleeve | | | ITEM # | MK9009 | | |
| | DRAWING NO. | | REV | B | MATERIAL | P. V. C | UNIT | mm |
| | | | | SCALE | | | | |